

WOOD LOOK AND WOODEN BLINDS INSTALLATION

INSTALLING YOUR BLINDS IS EASY WITH OUR SIMPLE INSTALLATION GUIDES!

ITEMS DELIVERED AS PART OF YOUR PACKAGE:

- **Wood Look or Wooden Blind**
- **Front Pelmet (bundled together with longest blind if multiple blinds ordered)**
- **Brackets and Screws**

TOOLS REQUIRED:

- **Cordless drill with appropriate drill bit**
- **If blind is particularly large have someone help you lift and secure in place.**

GO TO PAGE 2 FOR INSIDE THE FRAME INSTALLATION.

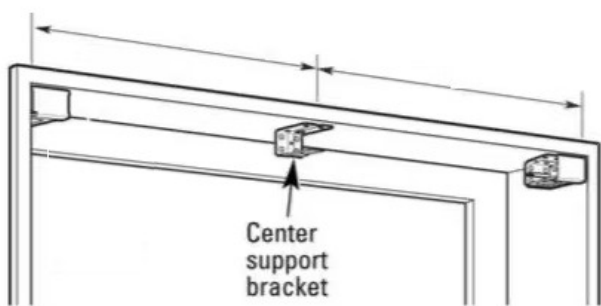
GO TO PAGE 4 FOR OUTSIDE THE FRAME INSTALLATION.

WOOD LOOK AND WOODEN INSTALLATION INSIDE FIT

STEP 1 INSIDE WINDOW FIT



- Carefully remove bubble wrap and plastic from blind, release brackets and screws.
- Place left bracket in left corner of window frame. Bracket arm must be facing front.
- Screw bracket into side or top of frame using 2 screws. There are multiple screw points you can decide what's best for you.
- Repeat on opposite end.



- If using a center bracket, screw the widest end into the top of the frame like a U shape turned on its side with the open section facing you.

STEP 2 INSIDE WINDOW FIT



- Remove the cords from the headrail.



- Place headrail into brackets. For larger binds you may need help holding the blind at the other end. Close arms of brackets until they click into place.

STEP 3 INSIDE WINDOW FIT

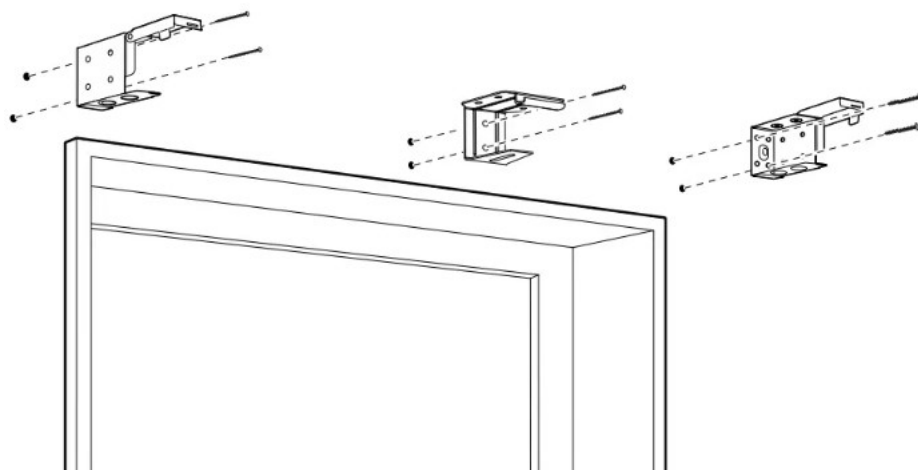


- Attach Pelmet securely by removing the white strips on the black Velcro patches on the track.

STEP 1 OUTSIDE WINDOW FIT



- Carefully remove bubble wrap and plastic from blind, release brackets and screws.
- Place left bracket in left corner of window frame. Bracket arm must be facing front.
- Screw bracket into side or top of frame using screws.
- Repeat on opposite end.



- If using a center bracket, screw the widest end into the top of the frame.

STEP 2 OUTSIDE WINDOW FIT



- Remove the cords from the headrail.



- Place headrail into brackets. For larger binds you may need help holding the blind at the other end. Close arms of brackets until they click into place.

STEP 3 OUTSIDE WINDOW FIT



- Attach Pelmet securely by removing the white strips on the black Velcro patches on the track.